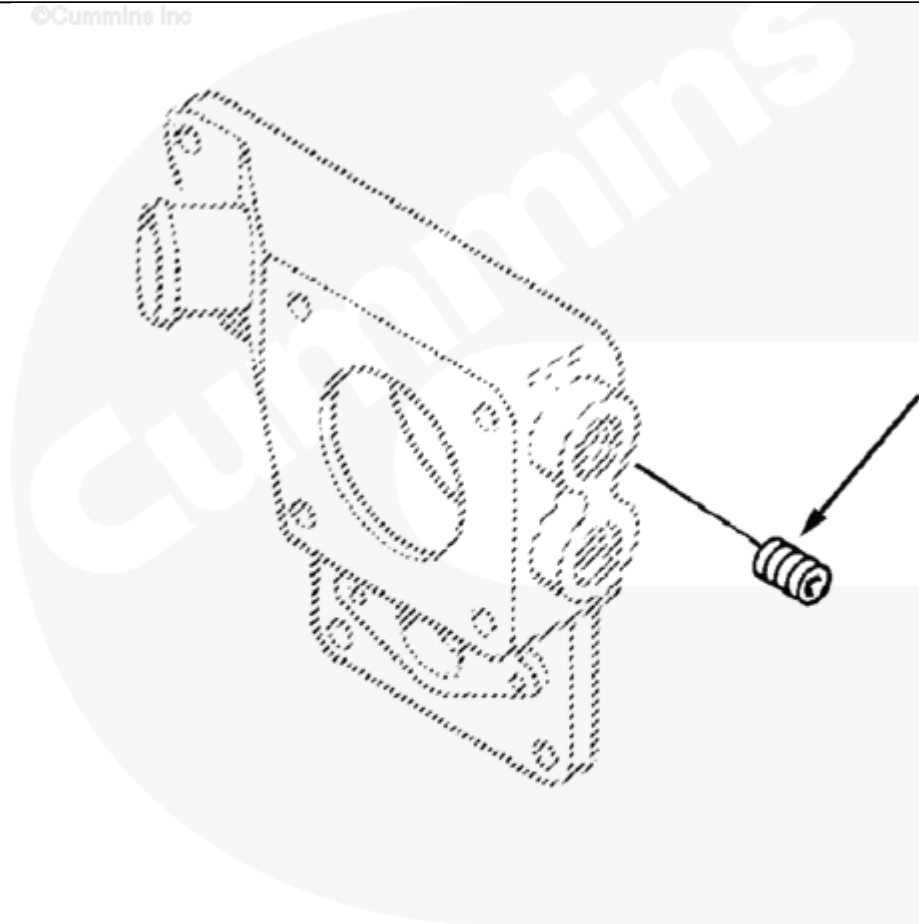




Parts Catalog - Option Detail

Electronic Parts Catalog - Option Detail				
Option	Group	Graphic	Film Card	Date
TH2762	08.07	cc200gx	II	13-MAR-00
Engines	ISM CM570, ISM CM570/870, ISM CM875, ISM CM876, ISM CM876 E, ISM11 CM876 M103, ISM11 CM876 SN, M11 CELECT, M11 CELECT PLUS, M11 MECHANICAL, QSM11 CM570, QSM11 CM876			

©Cummins Inc



cc200gx

[SMALL](#) | [MEDIUM](#) | [LARGE](#)

Cart	Ref No	Part Number	Part Description	Required	Remarks
View My Cart					
		TH2762	Thermostat Housing Plumbing		

					Thermostat Housing Plumbing
					Thrm Spt Top Front Wtr Port:
					3/8 NPTF Plugged
					Thrm Spt Bottom Front Wtr
					Port: 9/16-18 UNF Open
<input type="checkbox"/>	1	3013786	Pipe Plug	1	3/8 NPT.

© 2019 Cummins Inc., Box 3005, Columbus, IN 47202-3005 U.S.A.
 Terms of Use and Disclaimers | Recommended System Requirements
 Need Assistance? Please click on the Contact Us button in the top right corner of any page.